

SYNC BENCH



SHOWN: Bamboo planks, hand-finished line-grained stainless steel legs (Alloy AISI 304).

The Sync Bench, is ideal for indoor or outdoor environments and features an ergonomically-contoured, dual-planked surface, formed steel legs, and unique locking-key hardware.

The dual-plank design is engineered for easy assembly and if necessary for individual planks to be easily replaced. Installation options include: Free standing, Floor-mount, Wall-mount

INDOOR/OUTDOOR FRAME

Stainless Steel Alloy AISI 304 or 316L. Finish options available, recyclable.

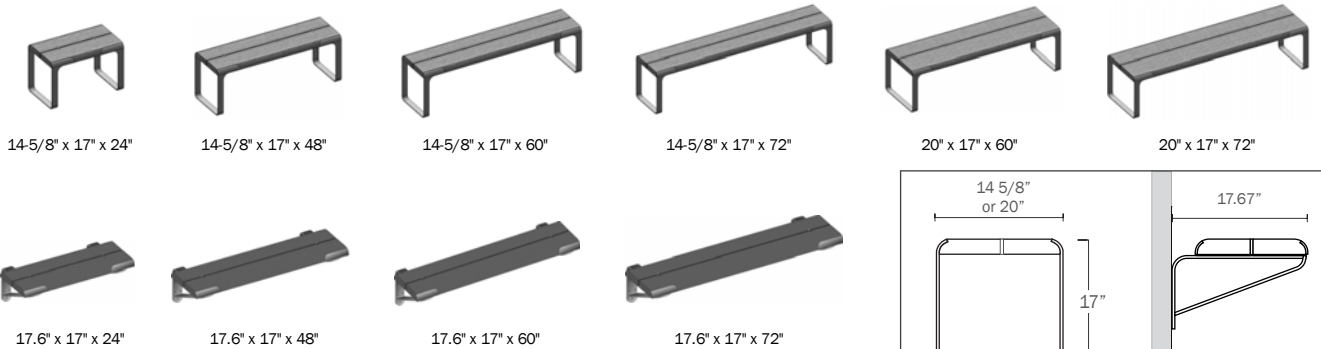
Mild steel/powder coat finish. Colors per manufacturer, recyclable.

PLANKING OPTIONS

Any hardwood per your specification. FSC-certified available upon request.

Reinforced Concrete. Standard colors .per manufacturer. Custom applications available

STANDARD SIZES: Depth x Height x Length



© animavi 3.12

Founded on principles of sustainability that articulate the true meaning of ecologically intelligent design, Animavi seeks to bring new life to the green furniture industry. Born out of a passion to merge sophisticated contemporary design with truly sustainable manufacturing, Animavi offers a standard furnishings collection as well as custom product design services for the hospitality and commercial retail markets. Animavi's authentic products are designed, fabricated and engineered for ultimate durability, with the highest-quality sustainable materials. All Animavi products are made in the USA. Based in Los Angeles, California. web: www.animavi.com e: info@animavi.com p: 213-221-7146